

FLEX KITCHEN TWO / FOUR



FLEX BENCH
SMART WORKSPACE ERGONOMICS



[FLEX-BENCH.COM](https://flex-bench.com)

“PLUG AND PLAY LIFTING SYSTEM FOR HEIGHT ADJUSTABLE KITCHENS”

Flex Bench is a supplier of electric height adjustable wall frames specially designed as a solid base for all kinds of ergonomic workplaces such as adjustable kitchens, counter workplaces, laboratory and medical tables and many other specific applications.

Flex Bench makes life easier.

The frames can be ordered in a unique size, and are easy to install. The frames have a high stability, high load-bearing capacity and are fully protected by a safety strip.



—
“DUTCH DESIGN WITH
SWISS INTEGRATED
LIFTING ELEMENTS”
—

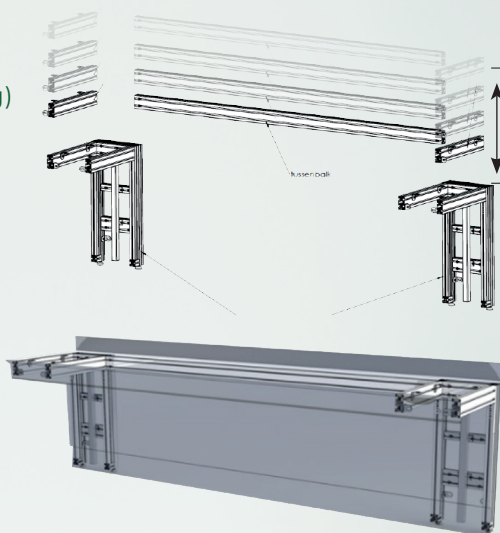
FLEXKITCHEN

THE FULLY ELECTRIC HEIGHT ADJUSTABLE KITCHEN FRAME

Adjustable height; 749-1049mm
Stroke length; 300mm
Max. weight; 300kg
(optional 600kg)

Including 4 tabletop supports
Including memory display
Including safety strip

length; 600mm
width; 545mm
height; 749mm



ADVANTAGES;

- Easy to install
- Wall mounting only / no floor mounting
- Adjustable plastic foot
- Space for routing of pipes and cabling
- Mounting option front plates (frame can be completely hidden)
- Including safety strip
- Extra flexibility due to the moveable table top supports
- Possibility of lifting complete kitchens including upper cabinets.
- Possibility of separate lifting of kitchen tabletop and upper cabinets
- Each frame can be ordered to size (length in mm)

Flex kitchen two – low module 300kg;

- Flex kitchen module 600mm (2x)
- Flex kitchen traverse mm (1x)
- Lifting actuators (2x)
- Safety strip mm

LOW MODULE



Extra options;

- Higher load capacity of 600kg
- Additional traverses or table top supports
- Different display or possibility of using your own display

Flex kitchen two - high module 300kg;

- Flex kitchen module 600mm (2x)
- Flex kitchen traverse mm (3x)
- Lifting actuators (2x)
- Safety strip mm

HIGH MODULES



Extra options;

- Higher load capacity of 600kg
- Additional traverses or table top supports
- Different display or possibility of using your own display

Flex kitchen four - high module 2X 300kg;

- Flex kitchen module 600mm (4x)
- Flex kitchen traverse mm (4x)
- 2 lifting actuators lower frame
2 lifting actuators upper frame (4x total)
- Safety strip mm (1x)

Extra options;

- Higher load capacity of 600kg for upper/lower module or both modules
- Additional traverses or table top supports
- Different display or possibility of using your own display
- Additional safety strip for upper frame



As standard, 4 table top supports are supplied

Optional table top supports can be ordered (length 460mm)

- Memory display



- Safety strip



By attaching the safety strip to a possible clamping zone, the system stops immediately when the safety strip is pressed. The safety strip is available in lengths of up to 5m

FLEX KITCHEN
200 / 400



CONTACT US

+31 33 277 9266

DE STUWDAM 51

3815 KM AMERSFOORT

NETHERLANDS

FLEX BENCH
SMART WORKSPACE ERGONOMICS



FLEX-BENCH.COM