

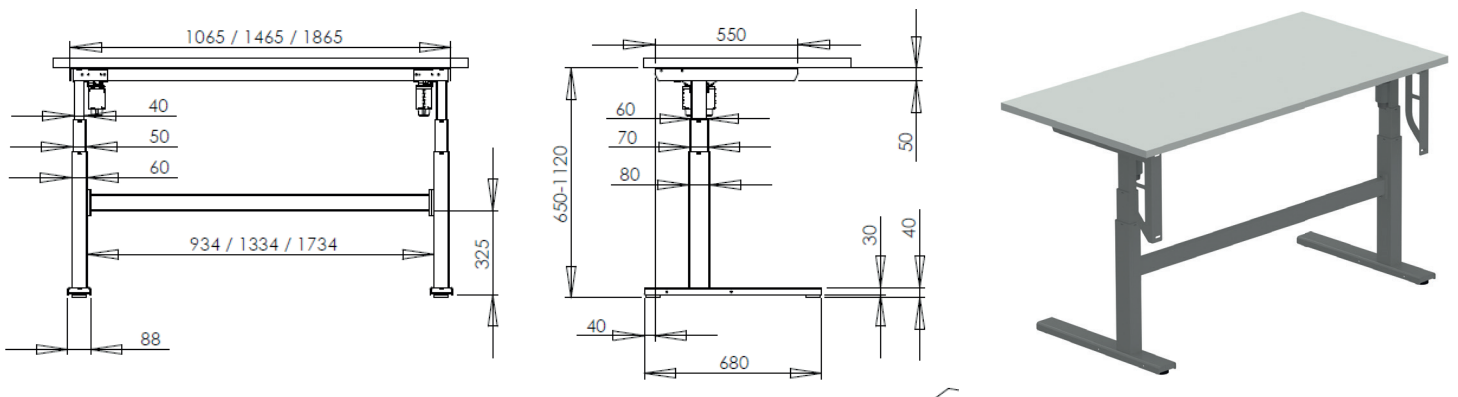
FLEX 200 LIGHT

INDUSTRY

lifting weight: 200 kg

Powerful and stable
Height-adjustable
Easy to assemble
Ergonomic

Powerful and stable height-adjustable table bases, oftenly used as a good foundation for ergonomic packing tables or as a work table for assembly, in laboratories and logistics, but also for example as a measuring or control table or other situations where depending on the height of the user or the operator a height adjustment is required.



| | | | | | |
|---------------------|---------------|-----------------------|------------------------|----------------------|----------------|
| lifting weight | lifting speed | duty cycle | voltage | stand-by consumption | operation |
| 200 kg | ~17 mm/sec | 10% at 50% max load | 200-240 vac / 50-60 hz | < 0.15 watt | micro switches |
| material | height | width | colour | motor | optional |
| powder coated steel | 650 - 1120 mm | 1065 - 1465 - 1865 mm | ral 7012 (dust grey) | dual sync motor | bracket set |