

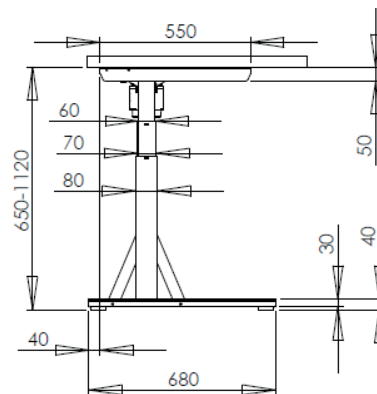
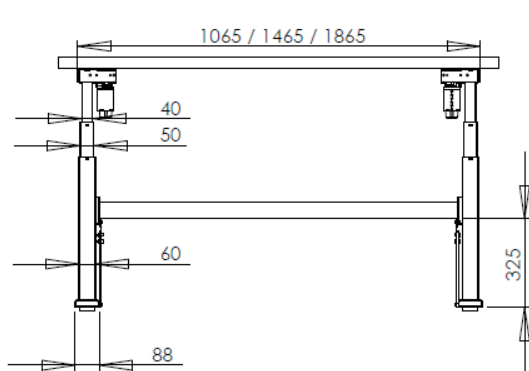
FLEX 350 HEAVY

INDUSTRY

lifting weight: 350 kg

- Powerful and stable
- Height-adjustable
- Easy to assemble
- Ergonomic

Powerful and stable height-adjustable table bases, often used as a good foundation for ergonomic packing tables or as a work table for assembly, in laboratories and logistics, but also for example as a measuring or control table or other situations where depending on the height of the user or the operator a height adjustment is required.



lifting weight	lifting speed	duty cycle	voltage	stand-by consumption	operation
350 kg	~17 mm/sec	10% at 50% max load	200-240 vac / 50-60 hz	< 0.15 watt	micro switches
material	height	width	colour	motor	optional
powder coated steel	650 - 1120 mm	1065 - 1465 - 1865 mm	ral 7012 (dust grey)	dual sync motor	bracket set